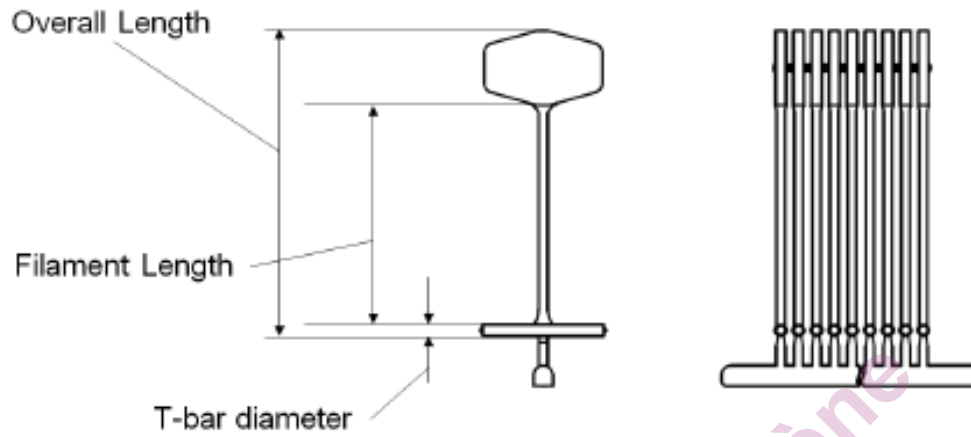


## Product Specification Sheet



Item number	: 04100K
Description	: 15mm Fine Fabric Plus PP
Material	: Polypropylene
Overall Length	: 20.95mm - 22.95mm
Filament Length	: 15.0mm - 17.0mm
T-bar diameter	: 0.8mm
Tensile strength:	: 3.5 kg
Pcs per clip	: 100pcs
Pcs per inner box	: 100clips (10,000pcs)
Pcs per outer carton	: 10boxes (10,000pcs)

\* Above numerical data can be changed due to condition, environment on use.